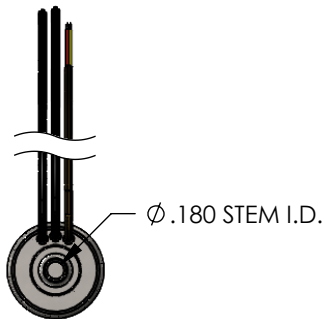
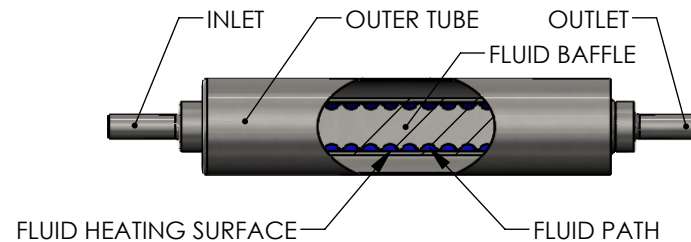
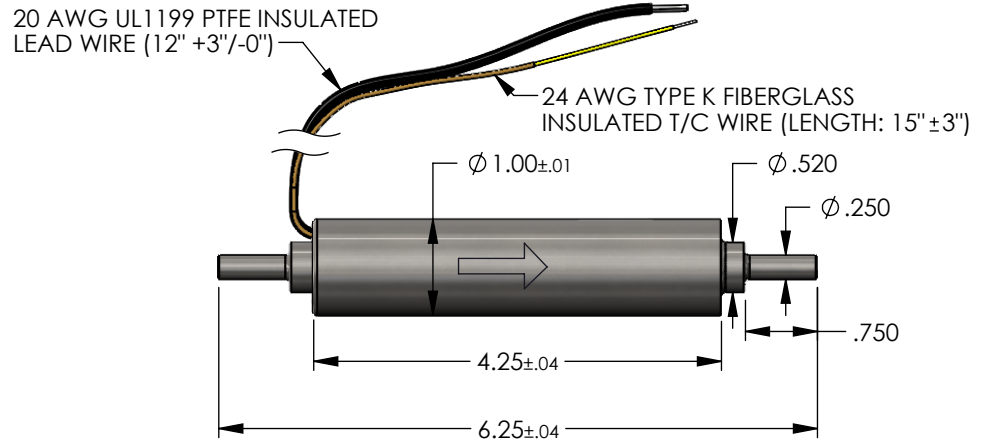


| Heater Orientation | |
|--------------------|---------------------------------|
| Fluid | Orientation |
| Liquid | Must Be Vertical (Upwards Flow) |
| Gas | Vertical or Horizontal |



| HEATER SPECIFICATIONS | |
|------------------------------|---------------------------------|
| Voltage: | 240 Volts |
| Heater Circuits: | 1 Circuit |
| Wattage: | 1000 Watts +5%/-10% @ 20 °C |
| Heated Surface Watt Density: | 228 W/in ² |
| Temperature Sensor: | Type K Thermocouple |
| Thermocouple Wire: | 24 Gauge, Solid Wire |
| Thermocouple Wire Length: | 15 inches ± 3" |
| Thermocouple Location: | Outlet End of Heater |
| Lead Wire: | 20 AWG, 7/28 Stranded, UL 1199 |
| Lead Wire Insulation: | PTFE |
| Lead Wire Max Temp: | 200°C Max |
| Lead Length: | 12 inches +3"/-0" |
| Max Heater Temperature: | 350°C |
| Max Process Temperature: | Dependent on Fluid & Flow Rates |
| Pressure Drop: | Dependent on Fluid & Flow Rates |
| Max Pressure: | 150 PSI |
| Dielectric Rating: | 1,250 VAC, 5 sec at 20°C |
| Agency Recognition | UL, CE, RoHS |
| Wetted Materials | AISI 316, 316L, 444 |
| Outer Tube Material: | Stainless Steel |
| Approximate Heater Weight: | 0.4 lbs |

| REVISION HISTORY | | | | |
|------------------|-------|---|-----------|-----|
| REV. | ECO# | DESCRIPTION | DATE | BY |
| B | 23191 | PRODUCTION PROTOTYPE RELEASE | 3/16/2017 | JPG |
| C | 9280 | UPDATED TC TOLERANCE AND SPECIFICATIONS | 1/7/2019 | JPG |



| | | | | | |
|--|------------|--------|---------------|--|---|
| UNLESS OTHERWISE SPECIFIED, DIMENSIONS ARE IN INCHES & [MILLIMETERS] PER ASME Y14.5M-1994. TOLERANCES: FRACTIONS ±1/16" X ±.01" .XX ± 0.01" & [X] ± 0.3mm .XXX ± 0.005" & [XX] ± 0.13mm .XXXX ± 0.0005" & [XXX] ± 0.013mm ANGLES ±0.5° | DWN: | JPG | 01/05/16 | 12001 Lackland Road St. Louis, MO 63146 PHONE 314-878-4600 FAX 314-878-6814 | |
| | CHK: | | | | |
| CONFIDENTIAL: This drawing and all information associated therewith may contain the confidential information of Watlow, or its customers or suppliers, which is subject to patent, trademark, copyright, or trade secret protection. Neither this drawing or the information associated therewith should be reproduced, used, or disclosed to others without the prior written permission of Watlow. Copyright 2004 Watlow Electric Manufacturing Co. All rights reserved. | ENG: | | | | |
| | MFG: | | | | |
| | QA: | | | TITLE | FLUENT 1" DIAMETER 240V, 1000W 4.25" Outer Tube Length |
| | PUR: | | | SIZE A DWG. NO. FLC-3 REV C | |
| CAD/REF. NO. | SCALE | WEIGHT | SHEET | | |
| | 1:2 | | 1 OF 1 | | |