

EZ-ZONE® Remote User Interface (RUI) Provides Keypad and Display Access to Parameters in EZ-ZONE RMs and EZ-ZONE STs and Features Communication Gateway Options



Features and Benefits

Ability to communicate with programmable logic controller (PLC), personal computer (PC) or operator interface (OIT)

- Optional EIA 485 Modbus® RTU
- RUI/communications gateway with optional EIA 232/485 Modbus® RTU, EtherNet IP™/TCP Modbus®, DeviceNet™ or PROFIBUS DP

Provides user interface for EZ-ZONE products

- Supports menu navigation and access to parameter settings in EZ-ZONE RM modules and EZ-ZONE ST controllers

User-customizable EZ key

- Executes the user-selected EZ key option in the selected device

Supports EZ-ZONE password protection

- Presents menus from connected EZ-ZONE products according to the customizable read and write lock settings and requires password if that feature is enabled in the product

Specifications for Basic Remote User Interface (RUI)

Operator Interface

- Dual 4 digit, 7 segment LED displays
- Forward, backward, up and down keys plus a customer programmable function key - EZ key
- Typical display update rate: 1Hz
- Agency approved to IP65/NEMA 4X
- Standard bus (ships with all units). Options: EIA 232/485 Modbus® RTU, EtherNet/IP™/TCP Modbus® or DeviceNet™, PROFIBUS DP

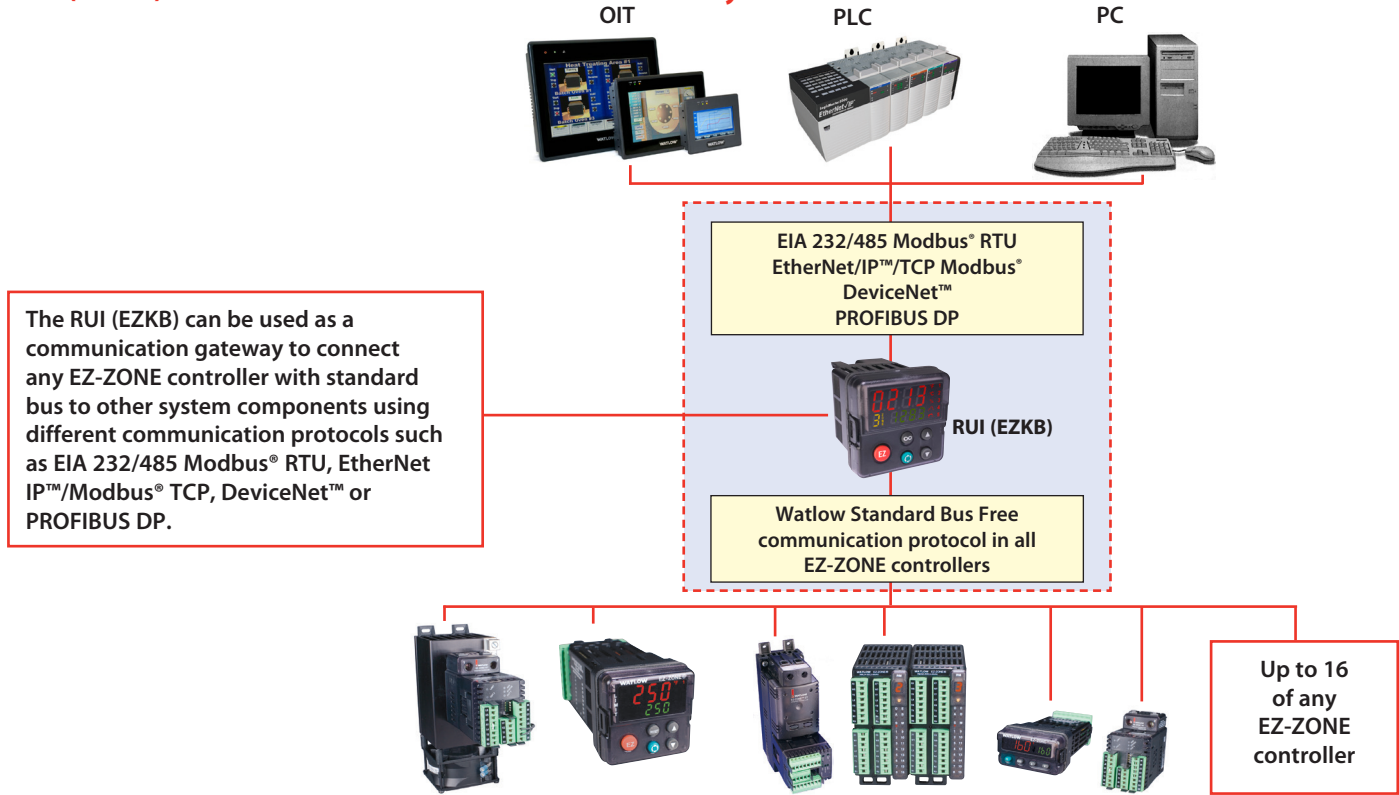
Line Voltage/Power

- 100 to 240VAC, +10/-15%; (85-264VAC) 50/60Hz, ±5%
- 24VAC/VDC, +10/-15%; 50/60Hz, ±5%

Agency Approvals

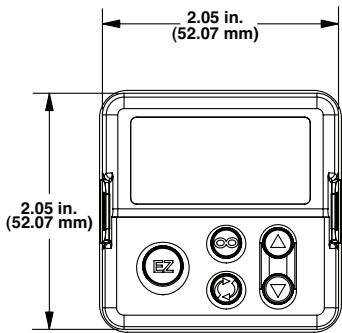
- UL®, CSA, CE, RoHS, W.E.E.E.

RUI (EZKB) Utilized as a Communication Gateway Device

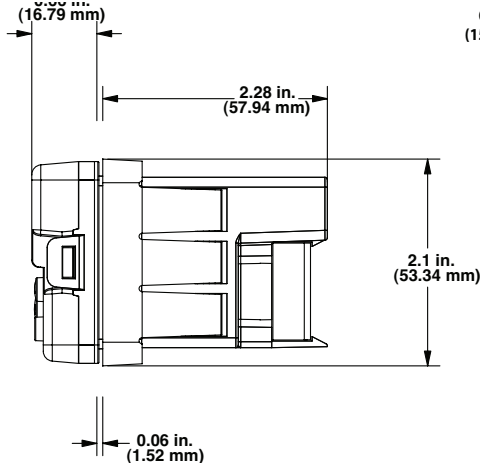


Remote User Interface (RUI)— Dimensional Drawings

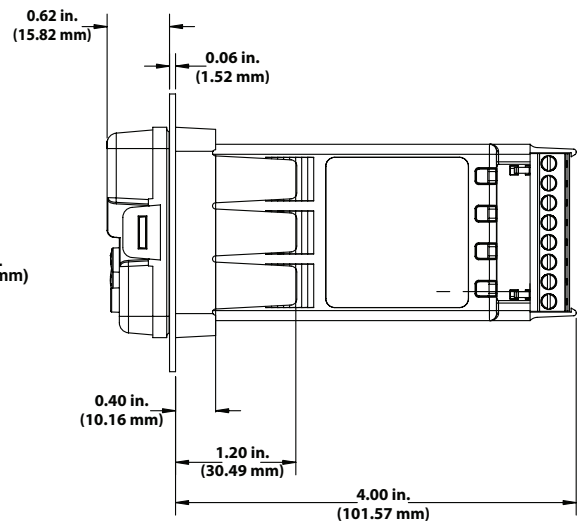
Front View



Short Case Version



Long Case Version



Ordering Information

Part Number

① ② ③	④	⑤	⑥	⑦ ⑧	⑨ ⑩	⑪ ⑫
EZK	Remote User Interface	Power Supply Voltage for RUI	Comm. Gateway Options	Custom RUI	Future Options	Custom Options
					AA	

④ Remote User Interface (RUI)

B = Basic 1/16 DIN

⑤ Power Supply Voltage for RUI

L = Low voltage 24-28VAC/VDC

H = Universal high voltage 100-240VAC/VDC

⑥ Communication Gateway Options* (Standard Bus Always Included)

A = None

2 = EIA232/485 Modbus® RTU

3 = EtherNet/IP™/Modbus® TCP

5 = DeviceNet™

6 = PROFIBUS DP

* Options 2 through 6 require the long case dimensions

⑦ ⑧ Custom RUI

AA = None

12 = Custom options, contact factory

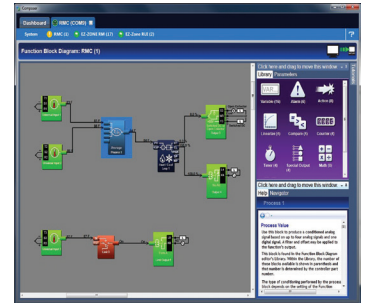
⑪ ⑫ Custom Options

AA = None

XX = Class 1, Div. 2 (only available with communication options 2, 3, 5 and 6)

Compatible Accessories

COMPOSER® is Watlow's easy-to-use software for configuring and customizing controllers. Use it to optimize Watlow's F4T®, D4T™, EZ-ZONE RM, PM and RUI products for specific applications. COMPOSER software is available for download free of charge at www.watlow.com.



Watlow also offers a line of Operator Interface Terminals (OIT). Refer to the Watlow Silver Series OIT product specification sheet on the web at www.watlow.com

SpecView from Watlow is designed for industrial users and includes features such as data logging, trending and support for bar code readers and touch screens. Errors are reduced for any process by creating application-specific screens. The software provides a historical replay option, easy-to-use recipe features and remote access options, including LAN, internet and modem.



Watlow® and EZ-ZONE® are registered trademarks of Watlow Electric Manufacturing Company. UL® is a registered trademark of Underwriter's Laboratories Inc. Modbus® is a registered trademark of Schneider Automation Incorporated. DeviceNet™ and EtherNet/IP™ are trademarks of Open DeviceNet Vendors Association.

Powered by Possibility

To be automatically connected to the nearest North American Technical Sales Office:

**1-800-WATLOW2 • www.watlow.co
inquiry@watlow.com**

International Technical Sales Offices:

China	+86 21 3532 8532	Italy	+39 02 4588841	Singapore	+65 6773 9488
France	+33 1 41 32 79 70	Japan	+81 3 3518 6630	Spain	+34 91 675 1292
Germany	+49 7253 9400 0	Korea	+82 2 2169 2600	Taiwan	+886 7 288 5168
India	+91 40 6661 2700	Mexico	+52 442 256 2200	UK	+44 115 964 0777