

Base Metal Thermocouples

A Variety of Thermocouple Variations Available to Meet Your Application Needs



Watlow[®] offers two basic types of base metal thermocouples with protection tubes: bare and ceramic insulated elements. Many variations of each type are available to meet your application needs.

Performance Capabilities

- 2300°F (1260°C) maximum temperature

Features and Benefits

Insulated wire thermocouples

- Suitable for most general purpose applications

Bare and ceramic insulated elements

- Available in ASTM E 230 Types K and J, can be twisted or butt welded
- Choices include straight or angle types, two- or four-hole insulators and single or dual element

Protected thermocouples

- Supplied complete with head, block and protection tube
- Several styles available

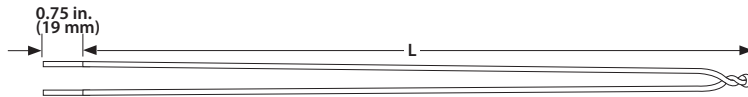
Typical Applications

- Metal processing such as aluminum, zinc, brass (with appropriate protection tube)
- Chemical
- Petrochemical
- Industrial storage tanks

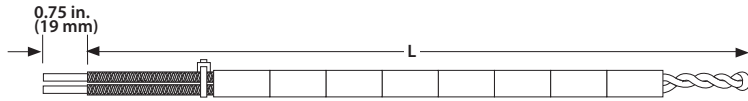
Bare Elements

To order, specify: Part number-length

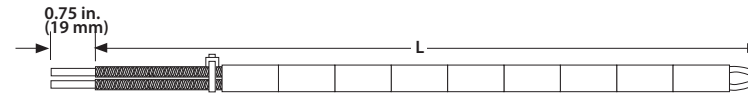
Example: 1402-36 or 1432-BW-24



Bare Thermocouple Element, Twisted and Welded



Thermocouple Element, Twisted and Welded

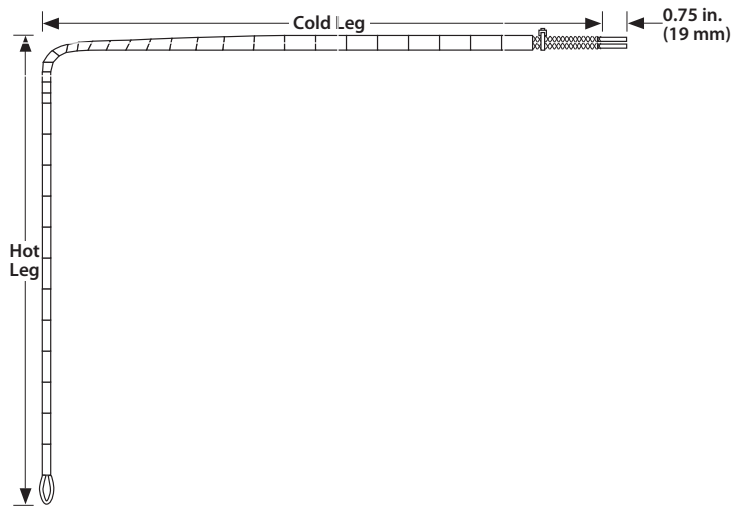


Thermocouple Element, Butt Welded

Angle Type with Two-Hole Insulators

To order, specify: Part number-cold leg length-hot leg length

Example: 1440-BW-12-24



Dual Elements with Four-Hole Insulators

To order, specify: Part number-length

Example: 1442-BW-36



Thermocouple Element, Butt Welded

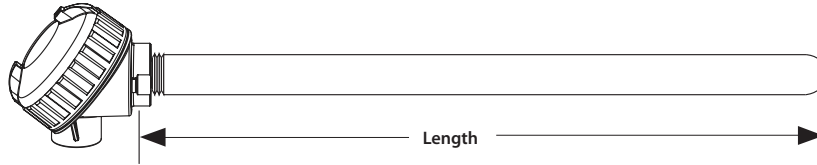
Standard Thermocouple with Protection Tubes

Straight Type

To order, specify: Part number-length

Example: 1409-1308-24

Metal Tube

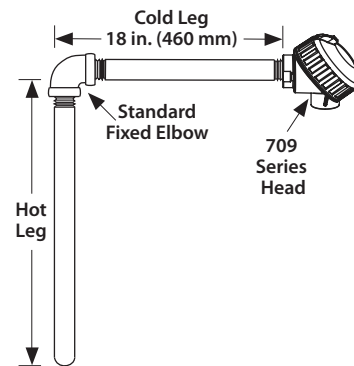


90 Degree Angle Type

To order, specify: Part number- cold leg length, hot leg length.

Standard cold leg length is 18 inches.

Example: 1414-1395-18-24



Watlow® is a registered trademark of Watlow Electric Manufacturing Company.

Powered by Possibility

To be automatically connected to the nearest
North American Technical Sales Office:

1-800-WATLOW2 • www.watlow.com
inquiry@watlow.com

International Technical Sales Offices:

China +86 21 3532 8532
France +33 1 41 32 79 70
Germany +49 7253 9400 0
India +91 40 6661 2700

Italy +39 02 4588841
Japan +81 3 3518 6630
Korea +82 2 2169 2600
Mexico +52 442 256 2200

Singapore +65 6773 9488
Spain +34 91 675 1292
Taiwan +886 7 288 5168
UK +44 115 964 0777